

OMNIBOX XL



The most versatile and sizeable driver box

Experience the most flexible approach for tunnel and high-power lighting with the OMNIBOX XL. This multi-functional and sizeable driver box offers outstanding flexibility for the integration of LED drivers and electronic gears for remote located optical units.

Available in 8 different sizes, with a wide range of drivers, fuses, SPDs, connectors and control gears, this versatile gear box will suit any type of environment and any lighting project requirements. It introduces the reversible opening concept so that the cover orientation can be changed on-site. With its tool-free latches, access to the internal components has never been easier or more convenient.

For added convenience, the input and output connectors are cleverly separated, simplifying installation and eliminating any confusion regarding connections.

Discover now the multiple functions and possibilities of the OMNIBOX XL, the most versatile gear box for tunnel and high-power lighting requirements.

IP 66

IK 09

IK 10

CE

SGS
C US



TUNNEL



LARGE
AREA

Concept

The OMNIBOX XL concept is based on an extruded aluminum profile sealed by two injected aluminum end caps. This design concept provides great flexibility in adapting the box length to the number of drivers and gear components needed for any specific lighting project. Its high mechanical and tightness levels make the OMNIBOX XL a robust and reliable power source in any kind of tunnel environment.

As the most flexible and adaptable driver box, OMNIBOX XL introduces the reversible opening concept. This means that the cover and hinges can be reversed on-site at any time, to change the opening direction from left to right and vice versa. With the OMNIBOX XL, there are no mounting constraints. Installation and maintenance are much easier. In addition, this box not only adapts to the geometry of your environment, it also withstands the harshest atmospheres thanks to its robust materials and various levels of corrosion protection.

OMNIBOX XL can be equipped with cable glands or tool-free connectors for an easy plug-and-play installation. The input and output connectors are clearly separated in different areas to make connections easier and avoid any cabling problems.

Don't be limited! Configure the remote driver box that best suits your lighting project. OMNIBOX XL offers a wide range of functions and can be equipped with various connections, gears, fuses and SPD options. It is compatible with advanced remote control technologies (e.g. Lumgate V4) to smartly manage your lighting installation and create safe and reliable environments.



Reversible door opening concept allows mounting adaptability



Easy cabling with tool-less connectors



Robust and reliable materials to suit any type of environment

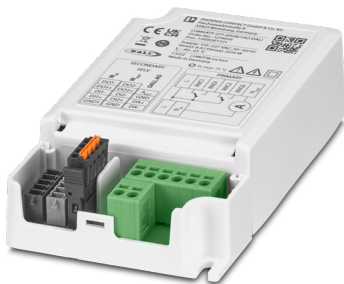


Compatible with the latest control technologies for perfect integration in tunnel control systems

Integrating the latest control technologies

The Lumgate is a luminaire control unit that acts as an interface between the lighting management system and the tunnel luminaires or driver boxes. Connected to the luminaire drivers, it switches the drivers on/off, controls the light intensity and provides command/reporting features.

It is suitable for installation in driver boxes or directly in the luminaire. It communicates with the driver via 0-10V or DALI command. This brand new interface includes advanced Inrush Current Limitation Features and a 24 hour fail-safe repeat mode.



Compatible with the advanced tunnel lighting control system

The ATS 4 (Advanced Tunnel System 4) is a powerful tunnel lighting control system for precise remote dimming and switching of each individual connected luminaire, based on various tunnel parameter inputs (emergency exits, smoke extraction system, traffic cameras, etc.).

The ATS 4 permanently communicates with the Lumgates, an RS422 closed-loop device connected to the luminaire drivers, to control the light intensity and provide command/reporting features.



Provides compatibility with DALI network protocol

The Advanced Tunnel System 4 DALI provides the essential functions of the ATS 4 over a DALI network protocol, enabling dimming of luminaire clusters to be controlled collectively. The ATS 4 DALI is the ideal solution to implement a reliable and powerful tunnel lighting control system with streamlined features and optimised costs.



CERTIFICATIONS

ENEC	Yes
CE mark	Yes
UL certified	Yes
Safety standards	IEC 60598-1 IEC 60598-2-1 IEC 61000-3-2 IEC 61000-3-3 IEC 55015 IEC 61547 IEC 62262

HOUSING AND FINISH

Housing	Cover & body: extruded aluminium EN AW-6063 T6 (anodisation Class 25) End caps: die-casted aluminium EN 1706 AC-47100 Brackets: stainless steel AISI 316L (DIN 1.4404) Opening latches: extruded aluminium EN AW-6063 T6 (anodisation Class 25)
Gasket	Body & cover: extruded silicone End cap: flat silicone
Housing finish	Polyester powder coating Standard polyester powder coating (C2-C3 according to the ISO 9223-2012 standard) Optional "seaside" polyester powder coating (C4 according to the ISO 9223-2012 standard) Optional "seafront" polyester powder coating with anodisation (C5-CX according to the ISO 9223-2012 standard)
Standard colour(s)	AKZO grey 900 sanded
Tightness level	IP66
Impact resistance	IK09, IK10**
Vibration test	Compliant with ANSI C 136-31 (3G) and IEC 68-2-6 (1.5G)
Access for maintenance	Tool-less access

OPERATING CONDITIONS

Operating temperature range (Ta)	-30°C up to +40°C / -22°F up to 104°F*
· Depending on the box configuration. For more details, please contact us.	
· · The product meets IK10 only when fitted with a tool-operated latch.	

ELECTRICAL INFORMATION

GENERAL

No. drivers	8 max. (custom design possible)
Driver wattage	165-320W
Nominal current	350-1000mA
Nominal voltage	220-240V – 50Hz 347-480V – 60Hz 120-277V - 60Hz

OUTPUT

Circuits	Single circuit (max. 6 drivers) Double circuit (max. 2x4 drivers)
Connector(s)	RST connector 3 poles M20 RST connector 5 poles M20 Cable gland M20 Cable gland M25

MAIN INPUT

Distributions	1Ph+N+ PE, 3Ph+N+PE
Connector(s)	1Ph+N+ PE: QPD 4 poles M25 Cable gland M25 3Ph+N+PE: QPD 5 poles M25 Cable gland M25
Terminal section	2.5mm ² 1.5mm ²
Loop through	Optional

CONTROL INPUT

Control protocol(s)	1-10V/DALI 2.0
Control options	Lumgate
Connectors	Lumgate: M17 BUS IN/OUT DALI or 0-10V: QPD 2 poles (M20) Cable gland (M20) Combined with Mains: QPD 5 poles (M25) QPD 4 poles (M25) Cable gland (M25)
Associated control system(s)	Advanced Tunnel System 4 Advanced Tunnel System 4 DALI

OPTIONS

Fuse	Yes
ICL (Inrush current limiter)	Yes
Surge protection options (kV)	10 20

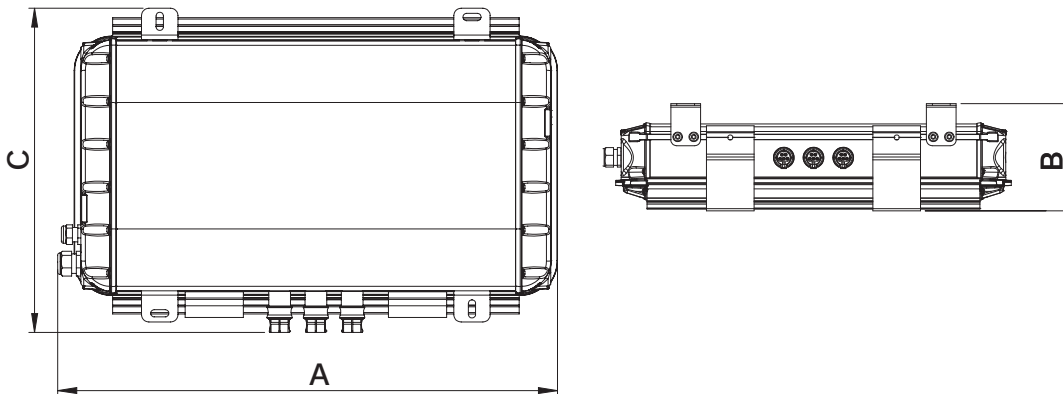
DIMENSIONS AND WEIGHTS

AxBxC (mm inch)	OMNIBOX XL 1 : 530x180x455 21x7x18
	OMNIBOX XL 2 : 610x180x455 24x7x18
	OMNIBOX XL 3 : 690x180x455 27x7x18
	OMNIBOX XL 4 : 810x180x455 32x7x18
	OMNIBOX XL 5 : 870x180x455 34x7x18
	OMNIBOX XL 6 : 910 x180x455 36x7x18
	OMNIBOX XL 7 : 1010x180x455 40x7x18
	OMNIBOX XL 8 : 1070x180x455 42x7x18

Weights (kg lbs)	OMNIBOX XL 1 : 15 33
	OMNIBOX XL 2 : 17 37
	OMNIBOX XL 3 : 20 44
	OMNIBOX XL 4 : 23 51
	OMNIBOX XL 5 : 26 59
	OMNIBOX XL 6 : 29 63
	OMNIBOX XL 7 : 32 70
	OMNIBOX XL 8 : 35 77

Mounting Surface mounting (ceiling/ wall)

· For more information about mounting possibilities, please consult the installation sheet.



FULLY CUSTOMISABLE
(UP TO 8 DRIVERS)



INPUT AND OUTPUT CONNECTORS
SEPARATED



ROBUST STAINLESS STEEL FIXING
BRACKETS



REMOTE CONNECTION OF OPTICAL UNIT(S)
(ONE OR MULTIPLE IN DAISY CHAIN PER
CONNECTOR)

