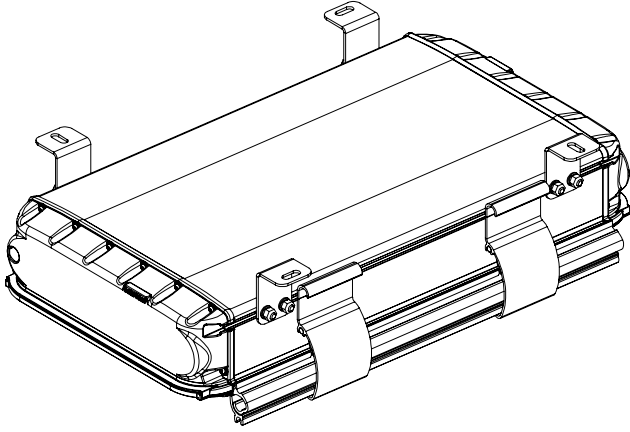
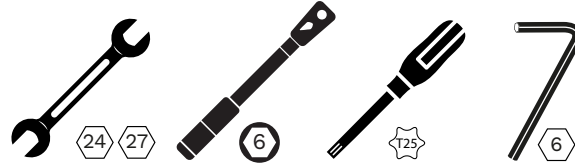
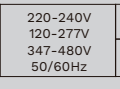
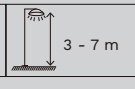


Schröder

OMNIBOX XL

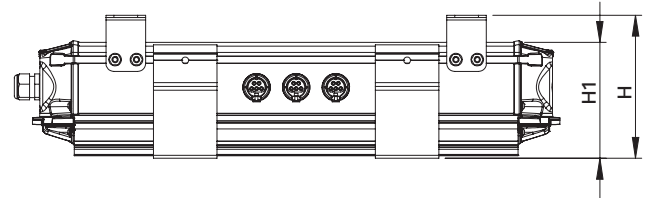


ENG	INSTALLATION INSTRUCTIONS	ITA	ISTRUZIONI DI INSTALLAZIONE	NLD	INSTALLATIE INSTRUCTIES	DAN	INSTALLATIONSVEJLEDNING	HUN	TELEPÍTÉSI ÚTMUTATÓ
DEU	INSTALLATIONSANLEITUNG	POL	INSTRUKCJE MONTAŻU	RUS	Инструкции по установке	RON	INSTRUCȚIUNI DE INSTALARE	CHI	安装说明
FRA	INSTRUCTIONS DE MONTAGE	SPA	INSTRUCCIONES DE INSTALACIÓN	POR	INSTRUÇÕES DE INSTALAÇÃO	SWE	INSTALLATIONSANVISNING	UKR	Інструкції з монтажу
SRP	UPUTSTVA ZA INSTALACIJU	ARA	تعليمات التركيب						

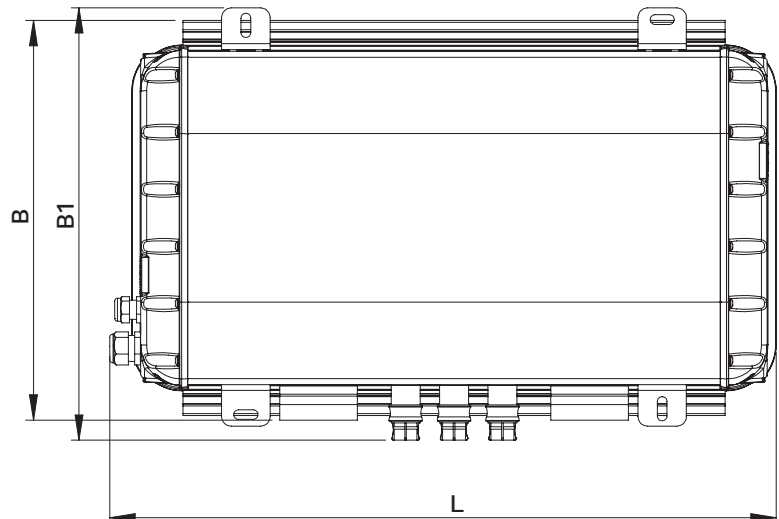


A

	L mm/in	B mm/in	B1 mm/in	H mm/in	H1 mm/in
OMNIBOX XL 1	530/21	415/16	455/18	180/7	150/6
OMNIBOX XL 2	610/24	415/16	455/18	180/7	150/6
OMNIBOX XL 3	690/27	415/16	455/18	180/7	150/6
OMNIBOX XL 4	810/32	415/16	455/18	180/7	150/6
OMNIBOX XL 5	870/34	415/16	455/18	180/7	150/6
OMNIBOX XL 6	910/36	415/16	455/18	180/7	150/6
OMNIBOX XL 7	1010/40	415/16	455/18	180/7	150/6
OMNIBOX XL 8	1070/42	415/16	455/18	180/7	150/6



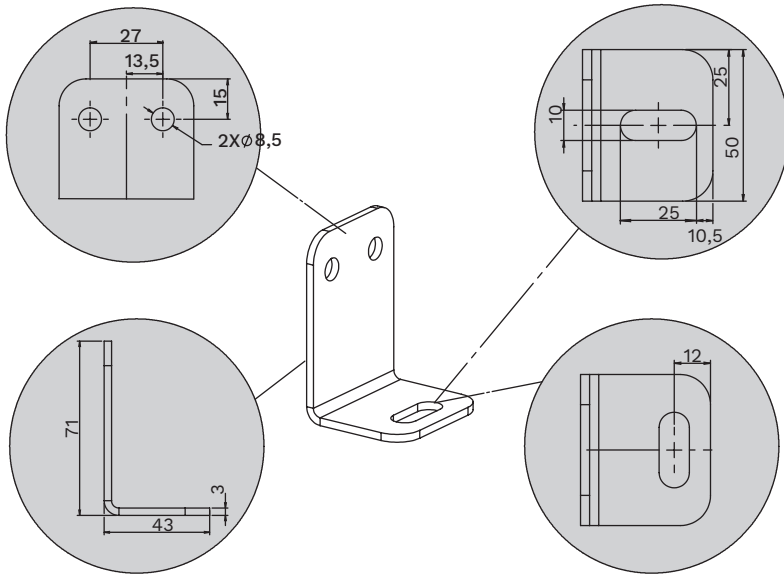
	kg/lb
OMNIBOX XL 1	15/33
OMNIBOX XL 2	17/37
OMNIBOX XL 3	20/44
OMNIBOX XL 4	23/51
OMNIBOX XL 5	26/59
OMNIBOX XL 6	29/63
OMNIBOX XL 7	32/70
OMNIBOX XL 8	35/77



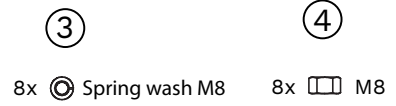
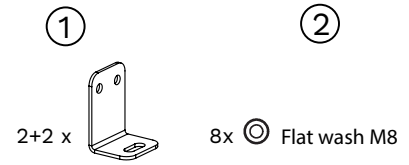
B

FIXED BRACKETS ANSI 3G

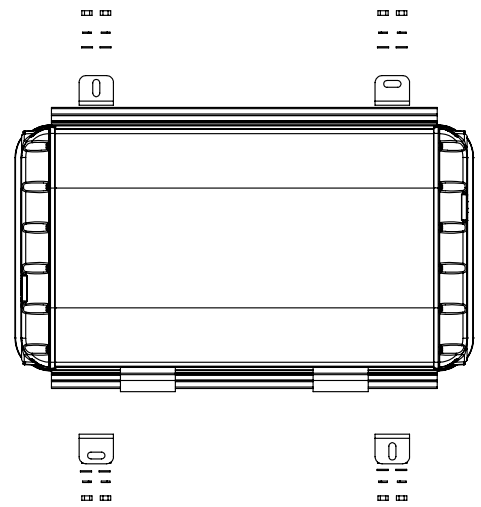
1



2



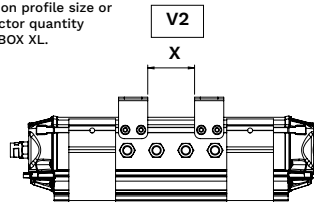
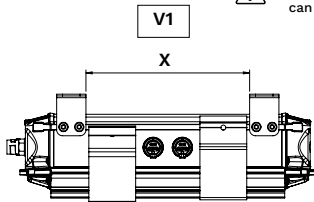
1 Material: stainless steel



3



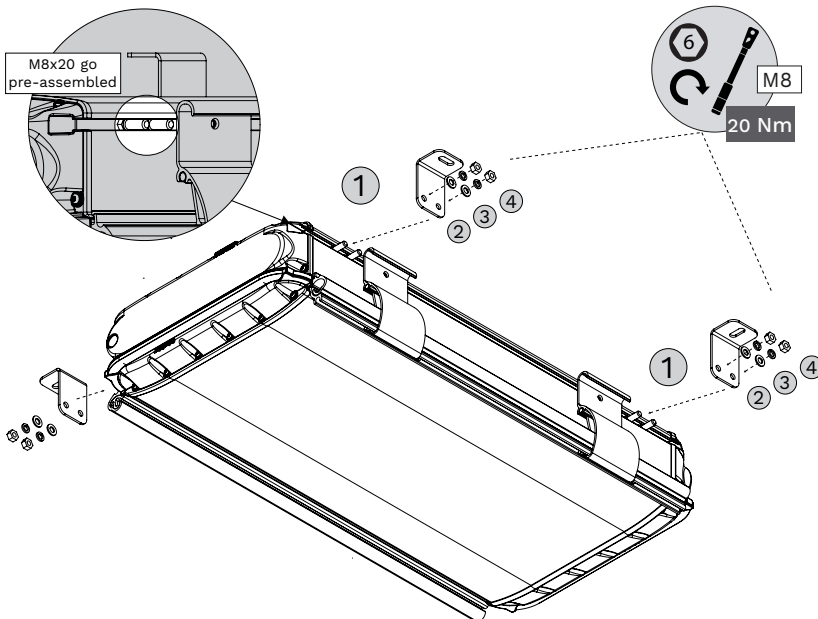
Caution: distance between brackets can vary depends on profile size or output connector quantity of OMNIBOX XL.



	mm/in	q-ty of outputs
OMNIBOX XL 1	280/11	2
OMNIBOX XL 2	300/12	2
OMNIBOX XL 3	380/14	3
OMNIBOX XL 4	500/19	3
OMNIBOX XL 5	560/22	3
OMNIBOX XL 6	660/26	4
OMNIBOX XL 7	700/28	3; 6; 4 8
OMNIBOX XL 8	760/30	4
		8

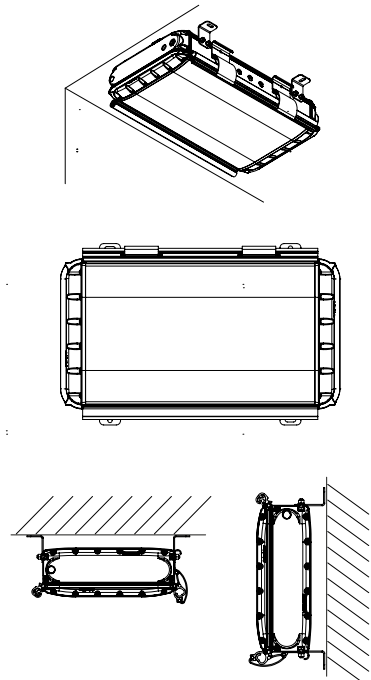
	mm/in	q-ty of outputs
OMNIBOX XL 1	80/3	4
OMNIBOX XL 2	-	-
OMNIBOX XL 3	190/7	6
OMNIBOX XL 4	-	-
OMNIBOX XL 5	360/14	6
OMNIBOX XL 6	600/24	8
OMNIBOX XL 7	-	-
OMNIBOX XL 8	-	-

4



5

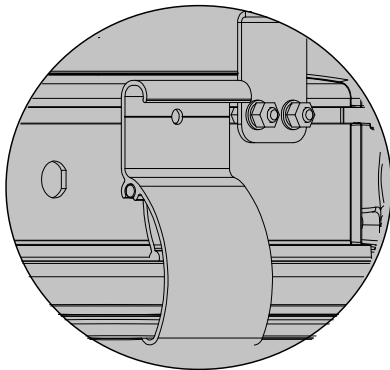
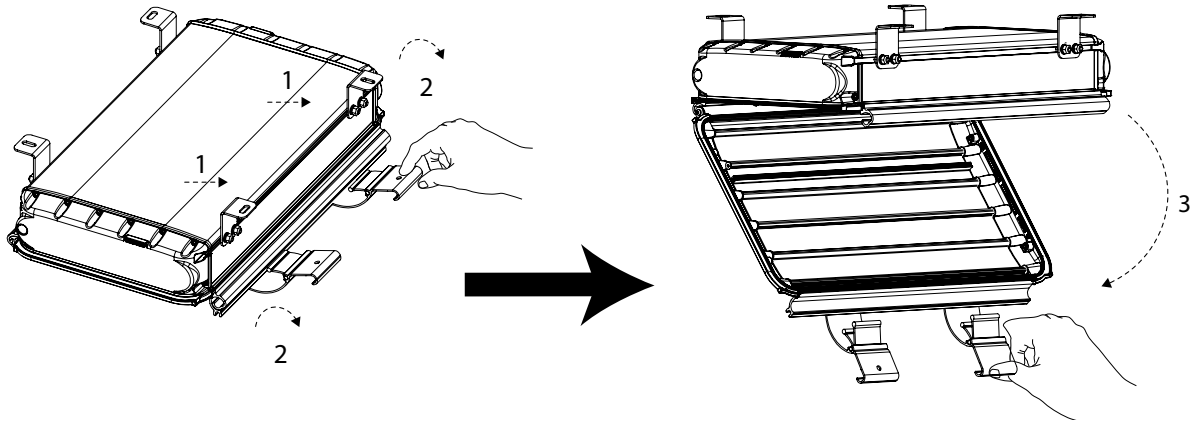
Mounting Configurations



6

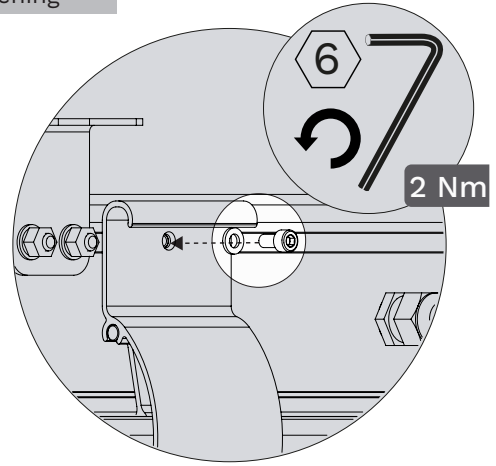


Toolless opening



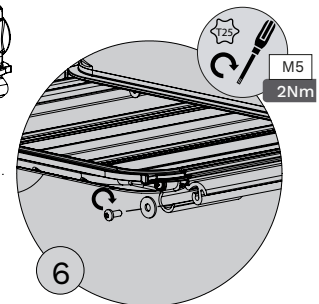
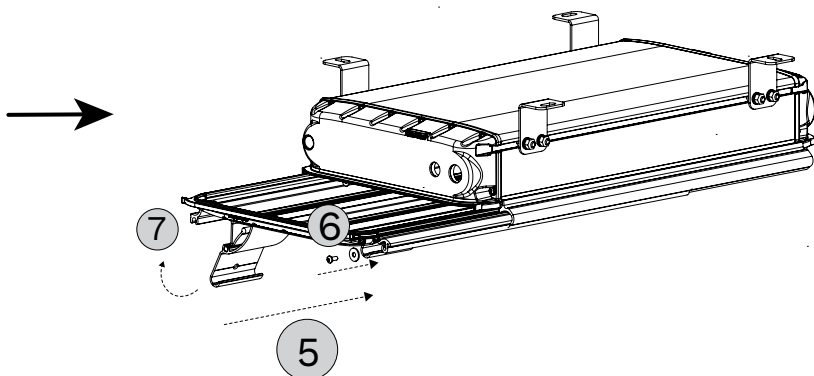
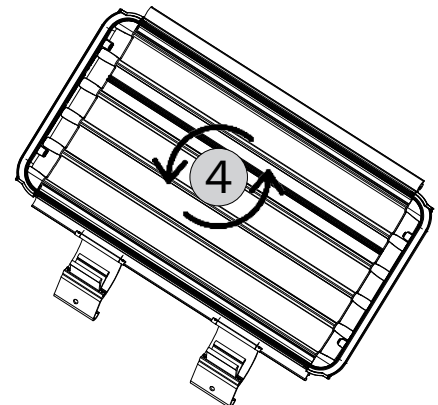
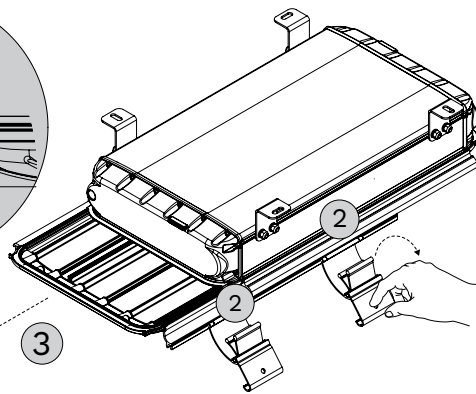
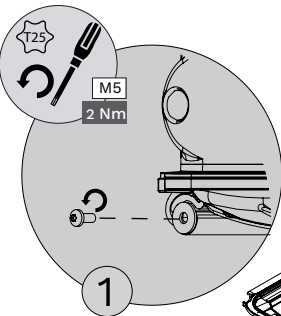
⚠ The number of lock varies depend on the length
Size 1-4 : 2 pcs
Size 5-8 : 3 pcs

Tool opening



7

↻ The lid has a reversibility option that facilitates to change the opening direction on site.



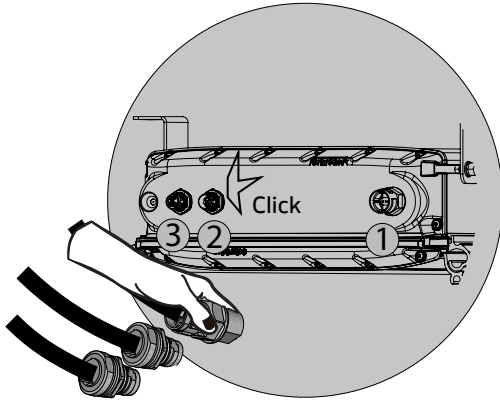
C



INPUT CONNECTION

1 Mains and Controls separated

QPD CONNECTORS

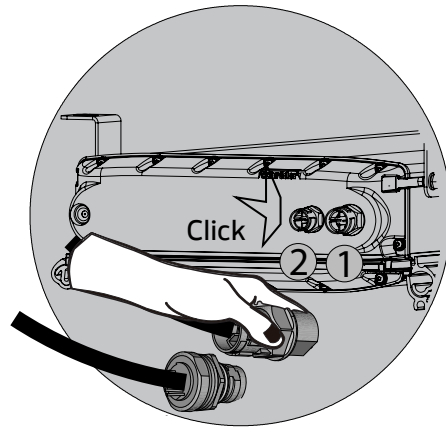


Lumigate

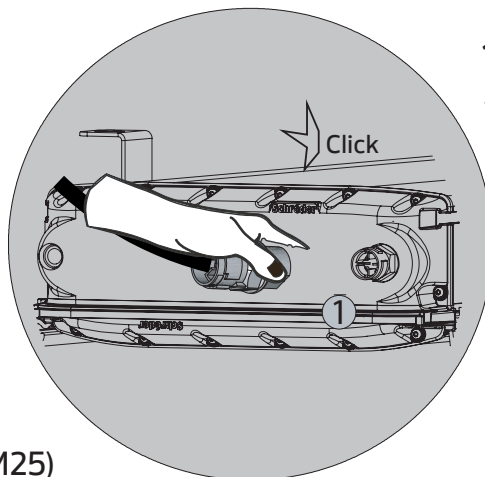
- 1 : Main QPD 4P (M25)
- 2 : M17 (BUS IN - Male)
- 3 : M17 (Bus OUT - Female)

1-10V/DALI

- 1 : Main QPD 4P (M25)
- 2 : QPD 2P (M20)



1a Mains and Controls combined



1-10V/DALI

- 1 : QPD 5P (M25)

No Dim

- 1 : QPD 4P (M25)

D



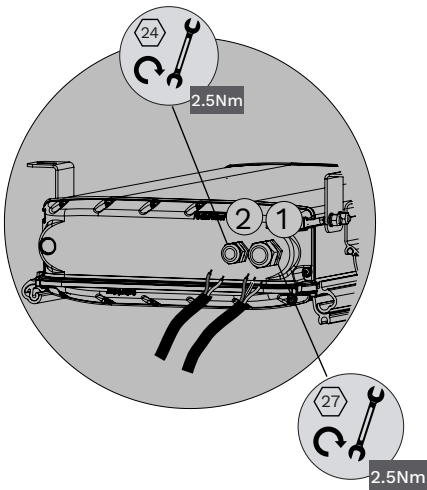
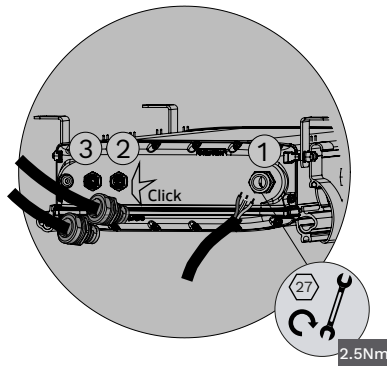
CABLE GLANDS

1 Mains and Controls separated

Lumgate

- 1: M25 cable gland
- 2: M17 (BUS IN - Male)
- 3: M17 (Bus OUT - Female)

- ① Mains supply
- ② ③ Controls



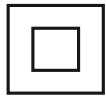
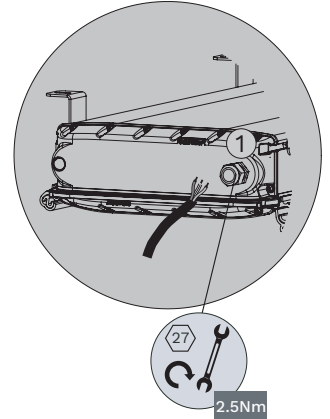
1-10V/DALI
1: M25 cable gland
2: M20 cable gland

- ① Mains supply
- ② Controls

1a Mains and Controls combined

**1-10V/DALI
No Dim**

- ① M25 cable gland
Mains supply and Controls



WEAR
PROTECTIVE
GLOVES



2



Mains Supply	Controls signal
Lumgate	
1-10V / DALI	
 M25 Ø6-12mm 3x2.5mm ² 3x1.5mm ²	 M20 Ø5-12mm 2x1.5mm ² 2x2.5mm ²

Mains Supply	Controls signal
Lumgate	
1-10V / DALI	
 M25 Ø6-12mm 2x2.5mm ² 2x1.5mm ²	 M20 Ø5-12mm 2x1.5mm ² 2x2.5mm ²

Mains and Controls combined	
1-10V / DALI M25 Ø9-14mm 5x2.5mm ² 5x1.5mm ²	No Dim M25 Ø6-12mm 3x2.5mm ² 3x1.5mm ²
*(possible with (X) x 4mm ² as terminals are 4mm ²).	

Mains and Controls combined	
1-10V / DALI M25 Ø9-14mm 4x2.5mm ² 4x1.5mm ²	No Dim M25 Ø6-12mm 2x2.5mm ² 2x1.5mm ²
*(possible with (X) x 4mm ² as terminals are 4mm ²).	



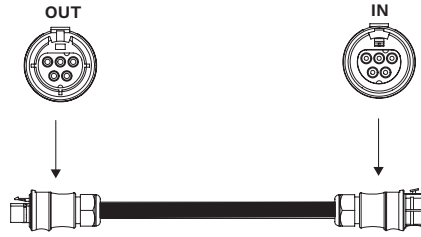
OUTPUT CONNECTION

1 External cables

Standard cable - 3 or 5 cores (Wieland M20)



To OMNIBOX XL

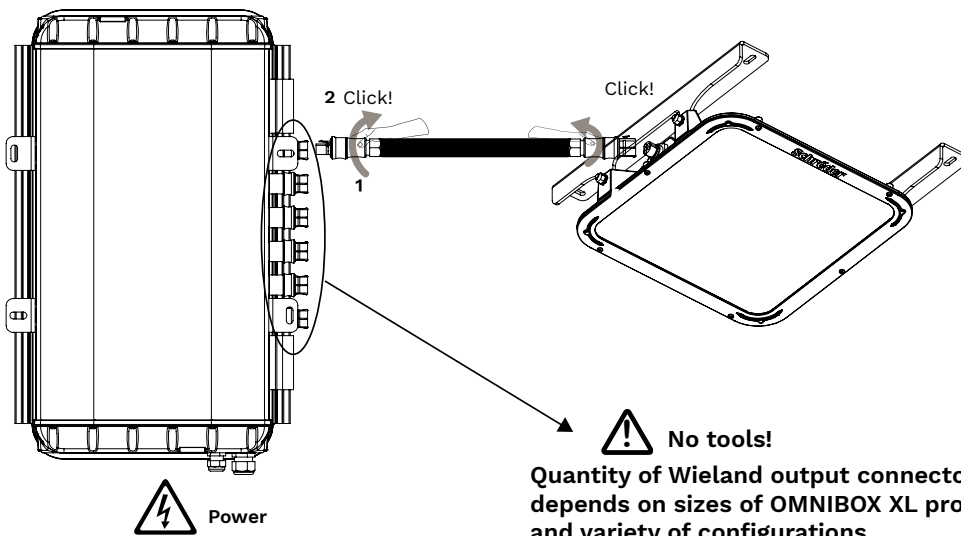


To Optical block

3P CONNECTOR	
CONNECTOR PIN#	
1 (+)	Circuit 1 Optical units
2 (-)	
3	Earth

5P CONNECTOR	
CONNECTOR PIN#	
1 (+)	Circuit 1 Optical units
2 (-)	
3 (+)	Circuit 2 Optical units
4 (-)	
5	Earth

1a

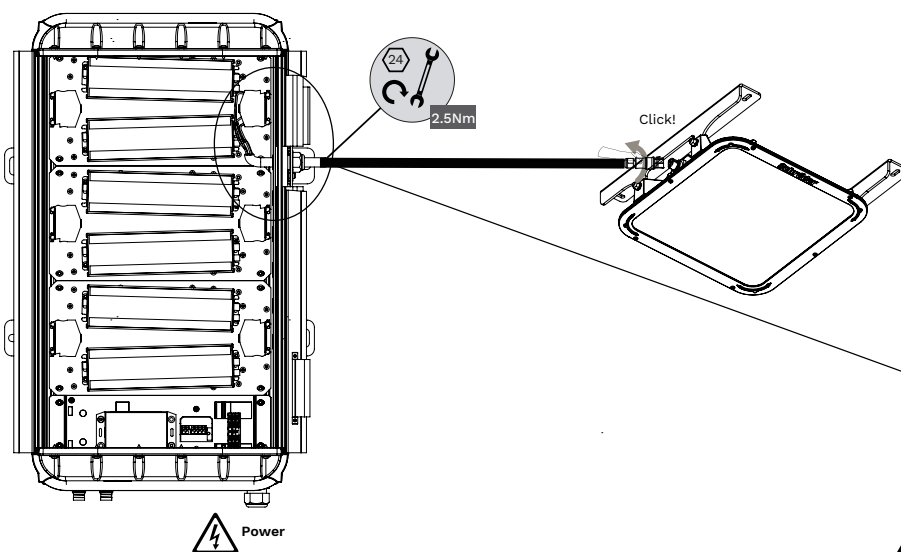


No tools!
Quantity of Wieland output connectors depends on sizes of OMNIBOX XL profiles and variety of configurations.

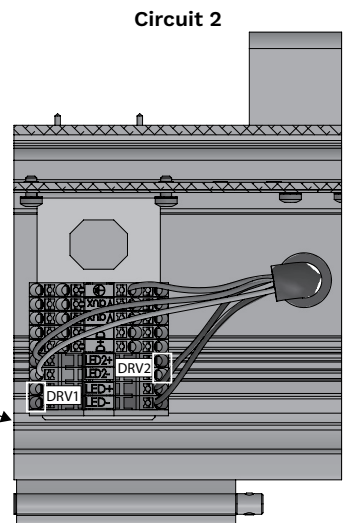
2

Connect mains only after optical block!

Cable Gland



Quantity of CABLE GLAND output connectors depends on sizes of OMNIBOX XL profiles and variety of configurations.



Single Circuit

Cable diameter \varnothing 6-12 **3P x 1,5 mm²**

Double Circuit

Cable diameter \varnothing 9-14 **5P x 1,5 mm²**

The range of cable diameters is specified by the cable entry and can vary depending on double or single circuit.

