

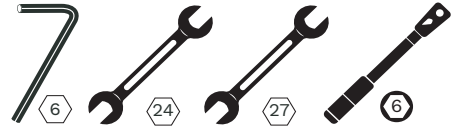
Schröder

TFLEX BASE STAINLESS STEEL

ENG	INSTALLATION INSTRUCTIONS	ITA	ISTRUZIONI DI INSTALLAZIONE	NLD	INSTALLATIE INSTRUCTIES	DAN	INSTALLATIONSVEJLEDNING	HUN	TELEPÍTÉSI ÚTMUTATÓ
DEU	INSTALLATIONSANLEITUNG	POL	INSTRUKCJE MONTAŻU	RUS	Инструкции по установке	RON	INSTRUCȚIUNI DE INSTALARE	CHI	安装说明
FRA	INSTRUCTIONS DE MONTAGE	SPA	INSTRUCCIONES DE INSTALACIÓN	POR	INSTRUÇÕES DE INSTALAÇÃO	SWE	INSTALLATIONSANVISNING	UKR	Інструкції з монтажу
SRP	UPUTSTVA ZA INSTALACIJU	ARA	تعليمات التركيب						

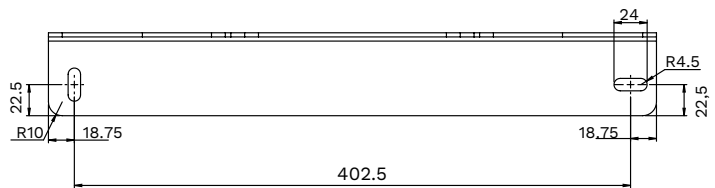
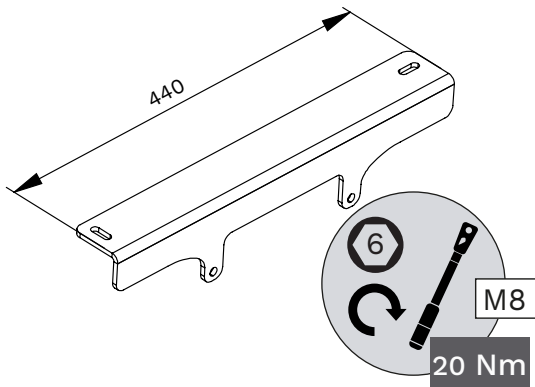


Led colour code	740 NW
Light source energy efficiency class - High power	C

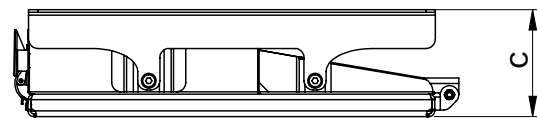
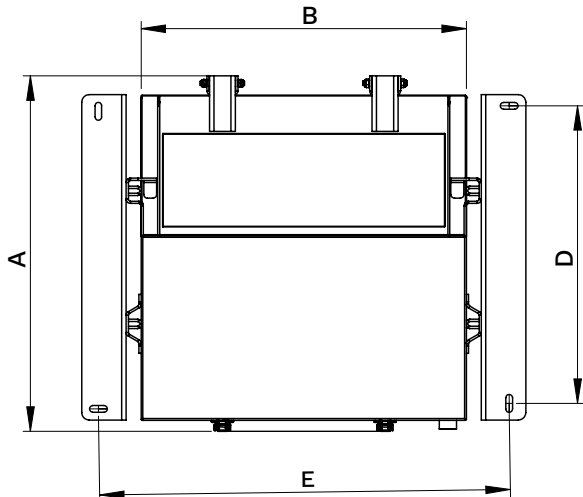


A FIXED BRACKETS Ansi3G

1a



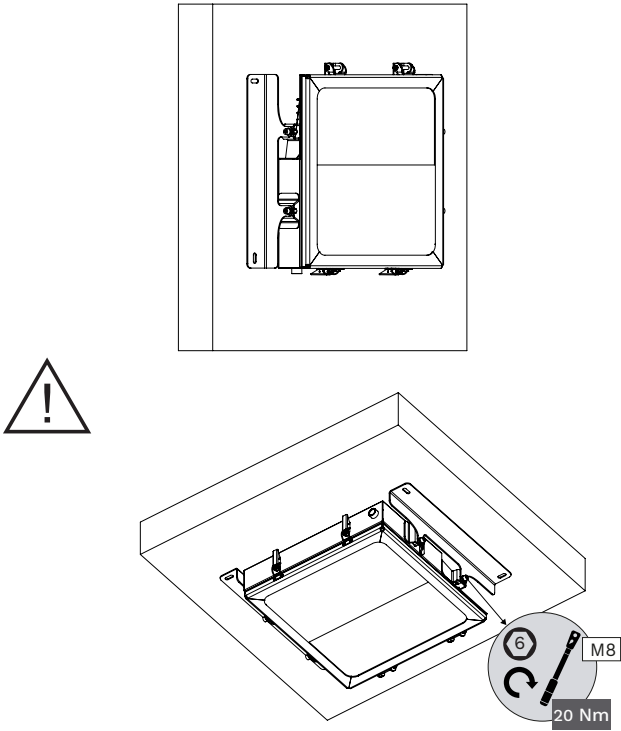
1b Dimensions and weight



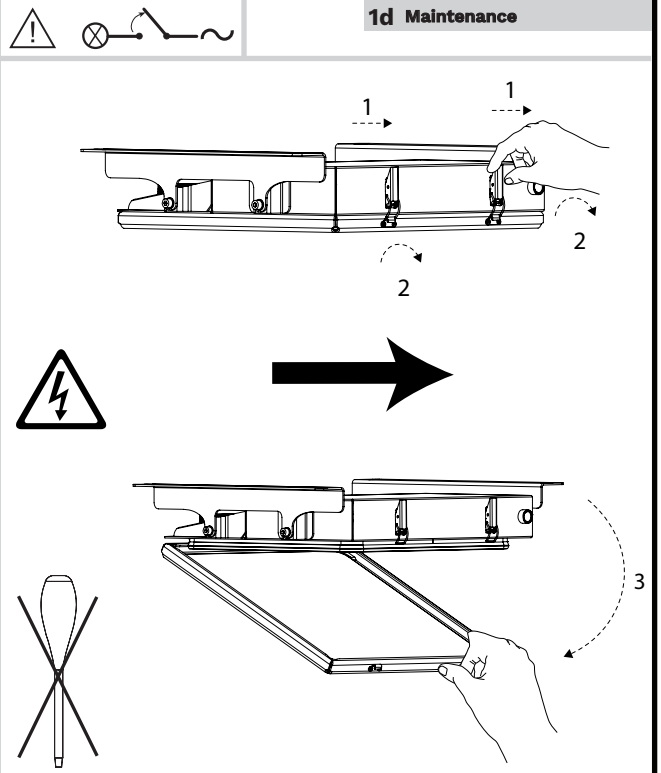
A	481 mm 19 in
B	440 mm 17 in
C	116 mm 5 in
D	402.5 mm 16 in
E	556 mm 22 in

PLATE HS	Kg / lb	10 kg 22 lb
----------	---------	----------------

1c Mounting configurations



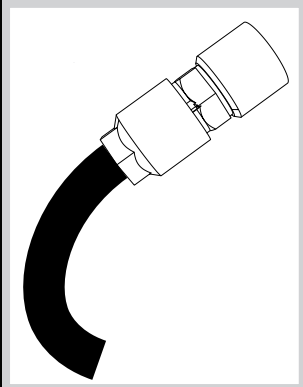
1d Maintenance



B

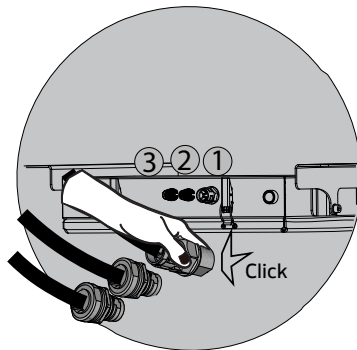
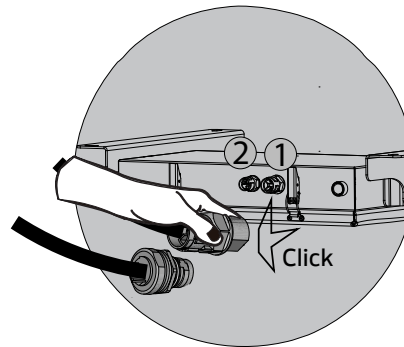
QPD CONNECTORS

1a Mains and Controls separated



1-10V/DALI

- 1: Main QPD 4P (M25)
- 2: QPD 2P (M20)



Lumigate

- 1: Main QPD 4P (M25)
- 2: M17 (BUS IN - Male)
- 3: M17 (Bus OUT - Female)

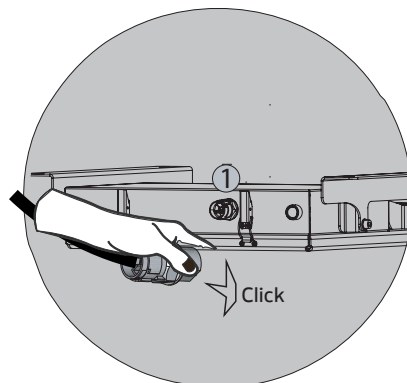
1b Mains and Controls combined

1-10V/DALI

- 1: QPD 5P (M25)

No Dim

- 1: QPD 4P (M25)



C

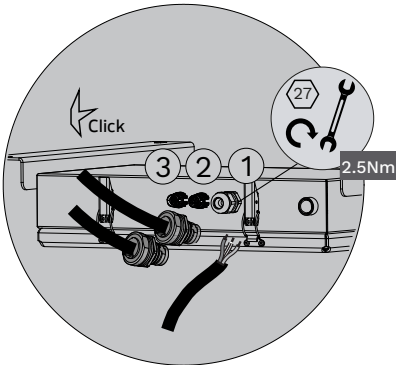


CABLE GLANDS

1a Mains and Controls separated

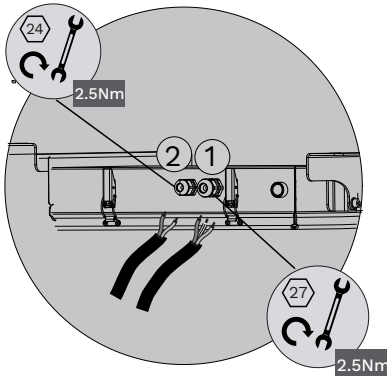
Lumgate

- 1: M25 cable gland
- 2: M17 (BUS IN - Male)
- 3: M17 (Bus OUT - Female)

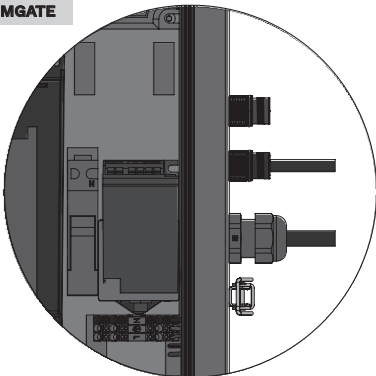


1-10V/DALI

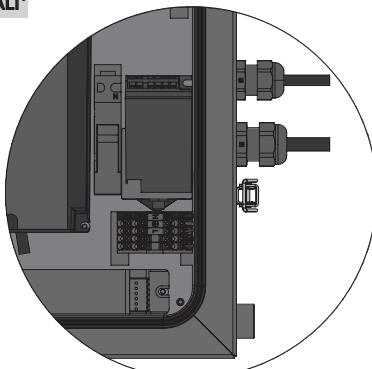
- 1: M25 cable gland
- 2: M20 cable gland



LUMGATE

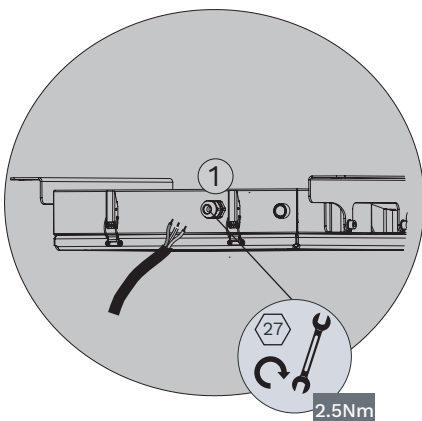


1-10V/DALI



Lumgate	
1-10V / DALI	
 M25 Ø6-12mm 3x2.5mm ² 3x1.5mm ²	 M20 Ø5-12mm 2x1.5mm ² 2x2.5mm ²

1b Mains and Controls combined



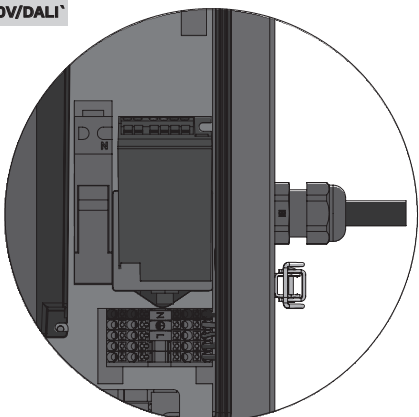
1-10V/DALI No Dim

1

M25 cable gland

1-10V / DALI	No Dim
 M25 Ø9-14mm 5x2.5mm ² 5x1.5mm ²	 M25 Ø6-12mm 3x2.5mm ² 3x1.5mm ²
*(possible with (X) x 4mm ² as terminals are 4mm ²).	

1-10V/DALI



NO DIM

