



KARAKTERISTIKE >>>

CHARACTERISTICS >>>

| | |
|---|--|
| Tip: Type: | SculpLine, SculpDot, SculpFlood60, SculpFlood150 |
| Broj LED: Number of LEDs: | SculpLine: 5/10/20/24/48 SculpDot: 16 SculpFlood60: 32 SculpFlood150: 96 |
| Nominalni fluks⁽¹⁾: Nominal flux ⁽¹⁾ : | 263-13419 Lm |
| Temperatura boje: CCT: | 3000-5700K |
| Indeks reprodukcije boje: CRI: | min. 70 |
| Fotometrija: Photometry: | Veliki broj svetlosnih raspodela za sve željene efekte u dekorativnom osvetljenju. Numerous lighting distributions for all desired effects in illumination. |
| Svetlosni fluks nakon 100.000h @ Tq=25°C (% početnog fluksa): LED lumen depreciation after 100.000h @ Tq=25°C (% initial flux): | 350/600 mA: 90% |
| Snaga svetiljke: Luminaire power: | 6-164 W |
| Struja: Electric current: | 100-600 mA |
| Nominalni napon: Nominal voltage: | 230V 50Hz |
| Prenaponska zaštita: Surge protection: | 10 kV |
| Stepen zaptivenosti⁽²⁾: Tightness level ⁽²⁾ : | IP 66 |
| Otpornost na udar^(2*): Impact resistance ^(2*) : | IK 07 / IK 08 / IK 10 |

Familija Sculp - 3 projektor a 1 linijska svetiljka - sve što vam je potrebno u dekorativnom osvetljenju novog doba.
The Sculp collection - 3 floodlights and 1 linear luminaire - everything you need in illumination of the new age.

| | | | |
|---|--|---------------------------------|--|
| Masa: Weight: | SculpLine: 3kg/m SculpDot: 7kg SculpFlood60: 8,5kg SculpFlood150: 18kg | | |
| Materijali: Materials: | SculpDot SculpFlood | kućište: body: | aluminijum liven pod pritiskom die-cast aluminium |
| | SculpLine | kućište: body: | ekstrudovani aluminijum extruded aluminium |
| | | bočni poklopci: side covers: | polikarbonat polycarbonate |
| | SculpDot SculpFlood SculpLine | protector: protector: | staklo/polikarbonat glass/polycarbonate |
| Boja: Colour: | Crna druge boje dostupne na zahtev Black other colours available on request | | |
| Montaža: Mounting: | SculpDot i SculpFlood: integrisani nosač za montažu i podešavanje ugla. SculpLine: ugradna ili montaža na ravnu površinu SculpDot and SculpFlood: integrated mounting bracket with inclination adjustment. SculpLine: recessed or wall mounting | | |
| Regulacija svetla: Lighting regulation: | Daljinsko upravljanje; za više detalja, molimo, konsultujte nas. Remote control; for more details, please, consult us. | | |
| Opcije: Options: | Temperature boje CW i WW RGB diode Dodatni pribor: rasteri, zaštitna mreža, refraktori... CCT CW and WW RGB LEDs Accessories: louvres, protection grid, refractors... | | |

(¹) Nominalni fluks je fluks LED izvora @Tj 25°C. Realni (izlazni) fluks svetiljke zavisi od efikasnosti optičkog bloka i ambijentalnih uslova (temperatura, zagađenje).

(²) The nominal flux is a LED flux @ Tj 25°C. The real (output) flux of the luminaire depends on the optical system of luminaire and environmental conditions (e.g. temperature and pollution).

(¹) prema standardu / according to IEC - EN 60598

(²) prema standardu / according to IEC - EN 62262

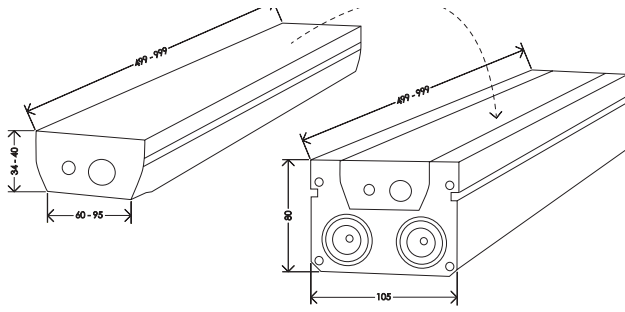
Zbog stalnih istraživanja i razvoja, zadržavamo pravo izmene specifikacija bez posebnog obaveštenja.

Due to continuous research and development, we reserve the right to alter the specifications without notice.

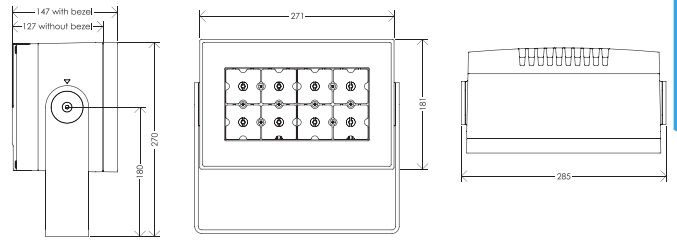


DIMENZIJE >>
DIMENSIONS >>

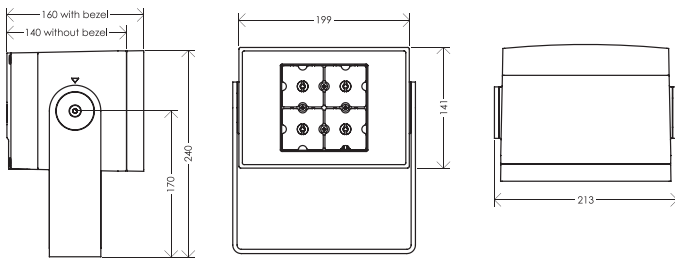
SculpLine



SculpFlood60



SculpDot



SculpFlood150

