

TRESSA



Inspired by the aesthetic Yoa luminaire, the TRESSA range perfectly complements a large number of Schröder fixtures.

The square details on the side provide a refined and modern design.

The TRESSA range is available in several versions (single, double, lateral and wall).

Made of die-cast aluminium, it is available in all standard Schröder colours.

Certified for the loads defined in EN40, the TRESSA range can be installed on poles for CE marking.

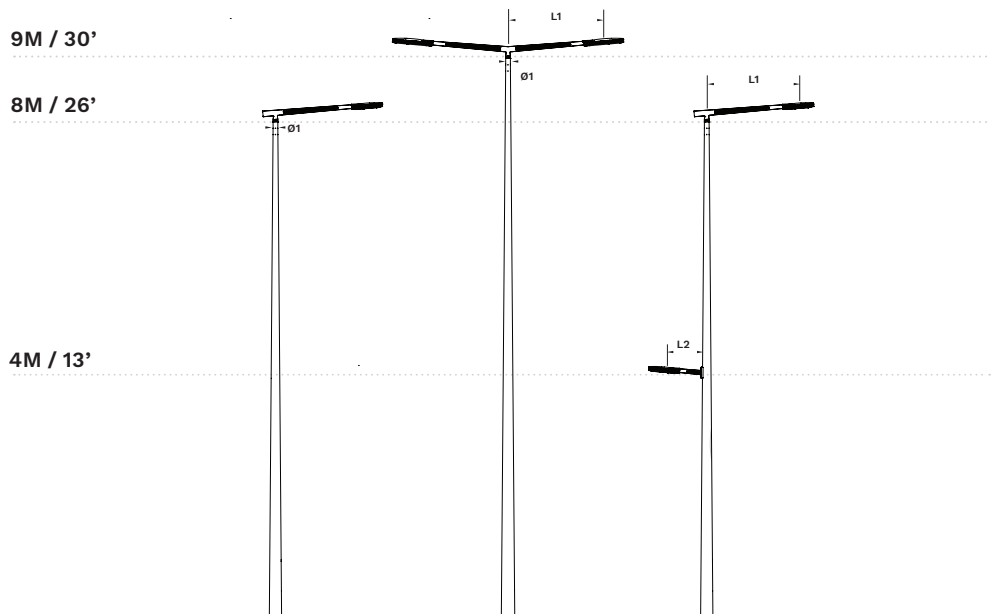
Technical information

GENERAL

Housing	Die-cast aluminum
Finish	Polyester powder-coating
Colour	AKZO 900 grey sanded Any RAL or AKZO colour upon request

Pull wire included	Yes, for post-top versions
Sea-side coating	Available upon request

DIMENSIONS



L1	1600mm 63"
L2	480mm 18.9"
Ø1	76mm 3"

PRODUCT VARIANTS

Type	Length (mm)	Ordering code	To pole			To luminaire			
			Diameter	Tube Penetrating (male)	Wall	Diameter	Penetrating (male)	Enclosing (female)	Lateral on pole min. diameter
Single	1320	YOAM120P	Ø76	x		Ø60	x	x	
Double	1320	YOAM220P	Ø76	x		Ø60	x	x	
Lateral & Wall	480	YOAM010P			x	Ø60	x	x	min> Ø90

Note: this Information is to be combined with the specific technical drawing.

LUMINAIRE COMPATIBILITY

Family	Type	Length (mm)	Ordering code	AMPERA		TECEO		AXIA	CMS / CITEA NG				FALCO	FURYO	HESTIA	IZYLUM	PIANO	SENSO	YMERA		YOA Midi & Maxi
				Universal 48-60mm	Universal 60 penetrating	Universal 48-60mm	Universal 60mm penetrating	Lateral entry 42-60mm	Lateral entry 60 enclosing	Lateral entry 60 Penetrating	Rotule diam D60mm penetrating	Rotule diam D60mm enclosing	Universal 48-60mm	universal 60	Lateral entry enclosing	Universal 48-60mm	Lateral entry 48-60mm	Universal 60mm H0°/V6°	Lateral entry 60	Lateral entry 60 penetrating	Lateral entry 60mm
TRESSA	Top single	1320	YOAM120P	x	x	x	x	x	x	x	x	x	x	x	o	x	x	x	x	x	x
TRESSA	Top double	1320	YOAM220P	x	x	x	x	x	x	x	x	x	x	x	o	x	x	x	x	x	x
TRESSA	Lateral	450	YOAM010P	x	x	x	x	x	x	x	x	x	x	x	o	x	x	x	x	x	x

x = standard available o = available upon request

INFORMATION FOR EN40 CALCULATION

Name	Ordering code	Type	Length (mm)	Centre of pressure on X (mm)	Centre of pressure on Z (mm)	Endpoint bracket on X (mounting point - mm)	Endpoint bracket on Z (mounting point - mm)	CxS (m ²)	Weight (kg)
TRESSA top single	YOAM120P	Single	1320	440	175	1320	255	0.16	9
TRESSA top double	YOAM220P	Double	1320	0	185	1320	255	0.24	12
TRESSA lateral	YOAM010P	Lateral & Wall	480	165	15	480	35	0.045	2

