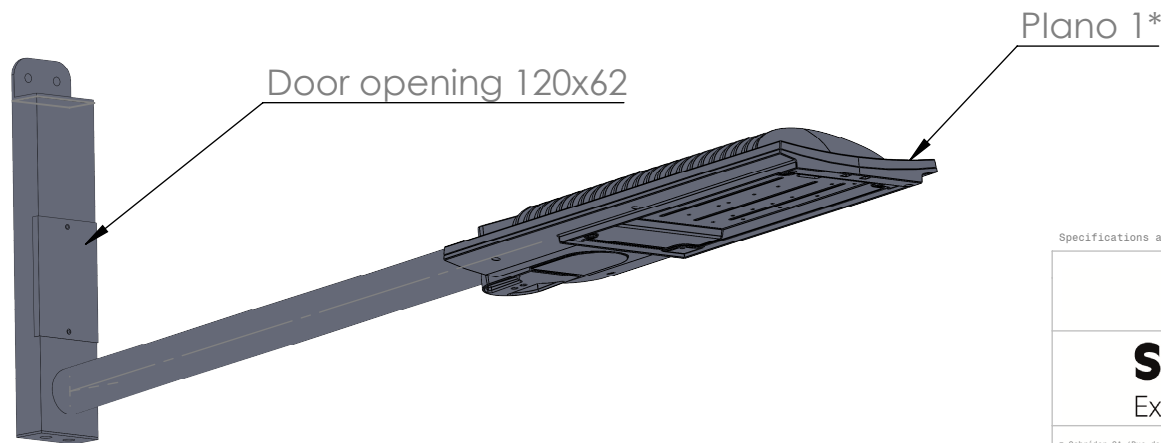
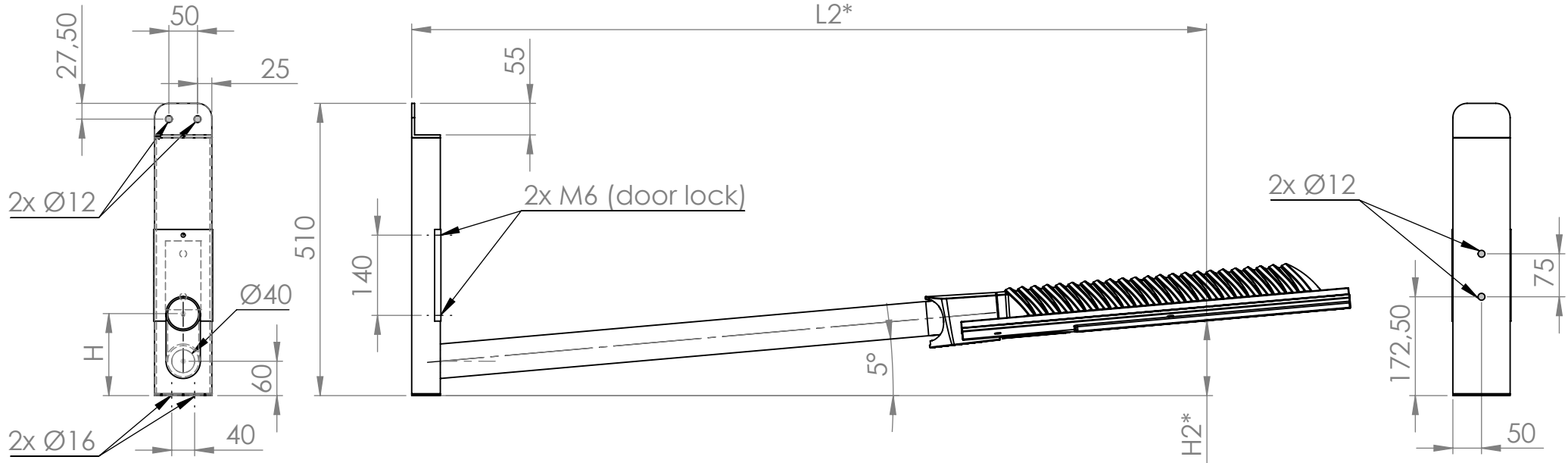
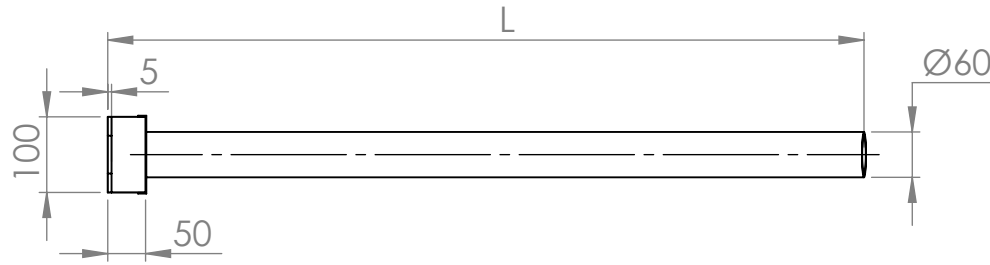


	Wall 500	Wall 1000
L	500	1000
H	99	143
L2* (Piano 1)	888	1388
H2* (Piano 1)	86	130
Bracket weight	5.9	8.1



Specifications and measurements are of an indicative nature and subject to change without notice

Korda Wall

Schröder
Experts in lightability™

Scale: 1:20

Date:03-09-2019

Material: Steel
Galvanised

Weight: See table

© Schröder SA (Rue de Lusambo 67, 1190 Brussels, Belgium).
This document, its content and all related intellectual property rights, notably on the drawings and design, are owned by and remains the property of Schröder SA. In no case, it can be used for unauthorized purposes. It can not be reproduced or communicated to third parties without Schröder's express and written agreement. Infringement gives rights to damages.